

# PRODUCT SPECIFICATIONS

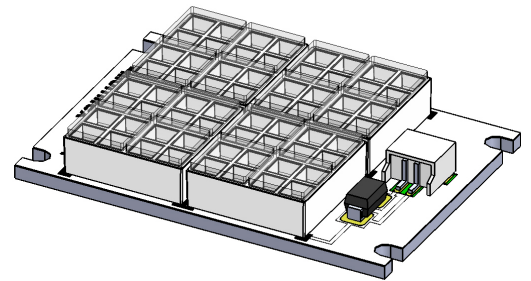
## Aduro™ VH White LEDs



# PRECISION LIGHT. INFINITE POSSIBILITIES.

## Aduro™ VH 2x2 Light Module

The **Aduro™ VH Series** offers the ability to control the beam angle at the LED package level, eliminating the need for costly and inefficient secondary optics while delivering maximum lumens to the intended task surface. The **Aduro™ VH Series** also delivers breakthrough lux uniformity ratios within the specified beam angle by controlling the cut-off of the light emitted from the LED with our Digital Distribution™ (DD) advanced technology. With 65% of the light (DD65) in the 50° beam angle, engineers can create better luminaires or lamps with better light, without secondary optics. **Aduro™ VH Light Modules** utilize plug-and-play connectors which eliminate the need for soldering.



### Features

- Revolutionary beam angle control
- Unrivaled color and lux uniformity
- Maximum delivered lumens per watt
- No need for secondary optical systems
- Lower fixture BOM and assembly costs
- Reduced fixture size or lamp light engine size
- Multi-die array provides robust redundancy
- Plug-and-Play connectors, no soldering needed

### Applications

Area Lighting ▪ Recessed Down Lighting ▪ High Bay Lighting ▪ Canopy Lighting ▪ Roadway Lighting ▪ Parking Garage Lighting

[www.illumitex.com](http://www.illumitex.com)

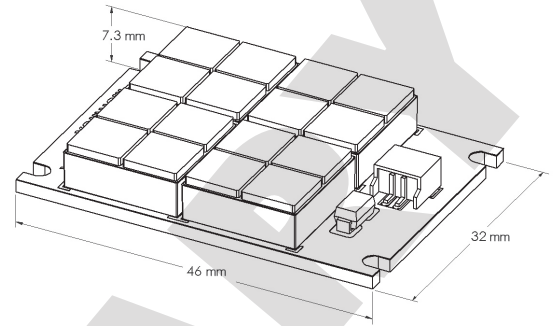
Illumitex Inc, 5307 Industrial Oaks Blvd., Suite 100, Austin, TX 78735 USA Tel: +1 512.279.5020

©2011 Illumitex Inc. All rights reserved. The information in this document is subject to change without prior notice.

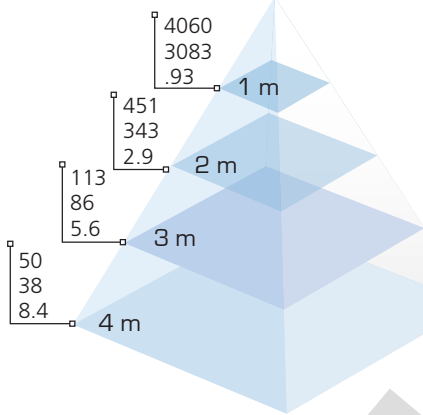
# Aduro™ VH 2x2 Light Module



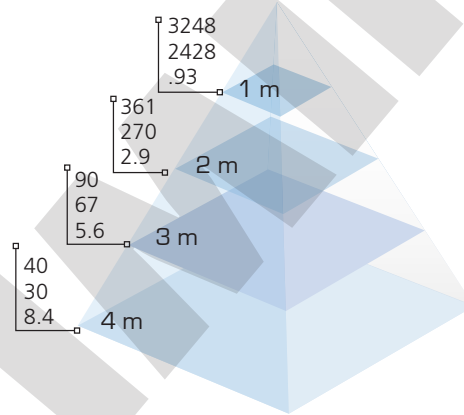
	COOL WHITE	NEUTRAL WHITE	WARM WHITE
TEMPERATURE	5700K	4000K	3000K
BEAM ANGLE	50°	50°	50°
DIGITAL DISTRIBUTION™	DD65	DD65	DD65
CRI	70	75	80
INITIAL LUMENS (lm)	3352	2640	2320
FORWARD VOLTAGE (V) TYPICAL	24.8	24.8	24.8
FORWARD VOLTAGE (V) MAX	26.8	26.8	26.8
FORWARD CURRENT (mA) TYPICAL	1400	1400	1400
FORWARD CURRENT (mA) MAX	2800	2800	2800
JUNCTION TEMPERATURE (°C)	125	125	125
OPERATING TEMPERATURE (°C)	-40 TO 85	-40 TO 85	-40 TO 85
THERMAL RESISTANCE (°C/W)	.5	.5	.5



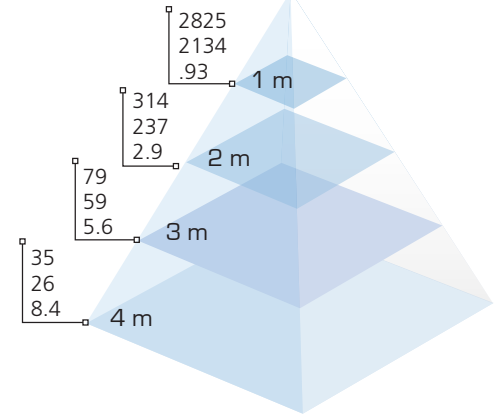
**COOL WHITE** CB LUX  
AVG LUX  
BEAM WIDTH 50°



**NEUTRAL WHITE** CB LUX  
AVG LUX  
BEAM WIDTH 50°



**WARM WHITE** CB LUX  
AVG LUX  
BEAM WIDTH 50°



[www.illumitex.com](http://www.illumitex.com)

Illumitex Inc, 5307 Industrial Oaks Blvd., Suite 100, Austin, TX 78735 USA Tel: +1 512.279.5020

©2011 Illumitex Inc. All rights reserved. The information in this document is subject to change without prior notice.

ITX.CUT.ALM2X2.082511